

Overview

The Dotworkz D2-TR-POE is an engineered outdoor housing system that is designed to allow most indoor PTZ & mini-dome camera models to allow for quick installation via PoE+ powered housing solution into a complete rugged outdoor system solution.

Virtually Indestructible housing solution for the a wide array of harsh environments. IP68 NEMA 4X ingress protection of housing, provides the highest levels of protection from water, dust, marine, and vandal abuse.

Key Features

- Designed to Simplify Powering of Housing using one Ethernet Cable for Power and Data, via PoE+
- External RJ-45 Quick Connect (IP67 connector) for quick installation
- Integrated Dual Layer Insulation for optimal thermal protection
- Integrated dual 10 CFM Blower fans for 20 CFM cooling
- For low power PTZ & Dome cameras up to 18w
- Vandal Tough Housing protection
- External IP rated Ethernet Quick Connect Integrated
- Easy Access / Easy Install of customer supplied camera
- 12 VDC @ 18W available for camera powering

Applications

Easily Integrate camera and housing into a wide range of outdoor applications via PoE+, to allow camera and housing to be powered by a single Cat 5e/ Cat6 Ethernet cable.

Extra heavy duty Dotworkz Housing is wall mount ready. The EZ Lock Pole & Speedy mount (# BR-MPM1) is available & sold separately for additional mounting options, as well as corner, parapet, and a whole line of other specialty mount brackets are available, sold separately, for virtually any mounting needs.

Good for commercial, Industrial, remote, coastal, and wide range of environmentally challenging installation.

Shipping Specifications

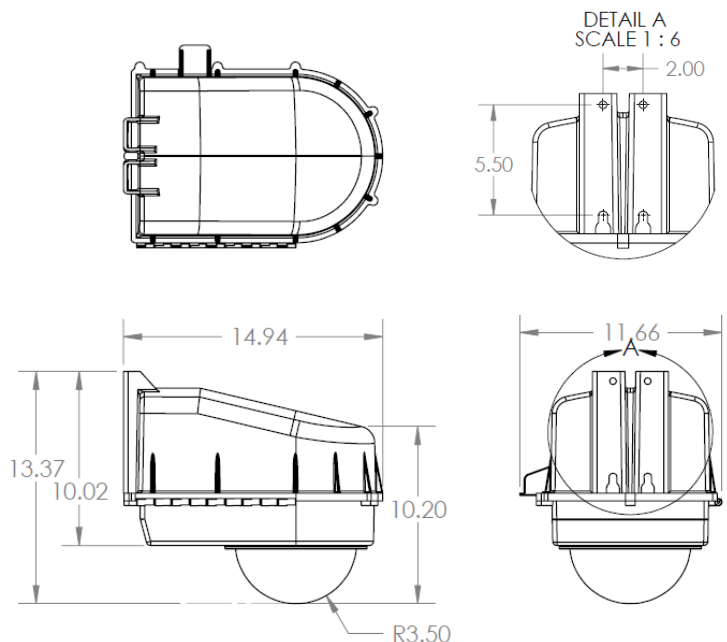
Product Number	Product Weight	Product Dimensions
D2-TR-POE	7.4 lbs	15.0"l x 11.7"w x 13.4"h
	Shipping Weight	Shipping Dimensions
	11 lbs	17"l x 13"w x 16"h

Product Attributes

- Single External Ethernet Cable powering housing solution via PoE+
- Vandal Tough casing designed to protect valuable electronics from environment, vandalism, and theft
- Housing meets IP68 rating: Airtight and sealed against outside air, dust, insects, water / salt fog and other conditions
- Internal mounting space for most indoor PTZ or dome cameras; nearly all makes and models



Combines the New IP 68 protection level with the ease of PoE installation



*Product specifications are subject to change without notice