

Overview

The Dotworkz KT-AXPA Power & Audio Harness Kit is designed to easily integrate any Axis P55 or Q60 Indoor camera series to be installed into the D2 or D3 Enclosures. The Power & Audio Harness provides the added capability of powering the camera via 24VAC or 24VDC, and allows the simple enhancement of the microphone via the added Audio Jack.

Can be used with Dotworkz KT-MIC, sold separately, to enable Audio / Microphone monitoring and recording capability in a Dotworkz Housing for Indoor & Outdoor deployments.

Key Features

- Designed to add 24V powering options when installing Axis P55 & Q60 indoor Series camera installation into all Dotworkz D-Series Housing models
- Ability to easily add Microphone monitoring & recording via mic jack
- Use with KT-MIC; sold separately, for Audio Monitoring & Recording
- Eliminates limitations of PoE only powering
- For Indoor Axis P55 & Q60 model camera Series compatible
- Low Cost
- Adds the most used features of the Axis multi-cable for these cameras
- Allows benefits of Dotworkz MVP powering options
- In Stock & Ready to Ship

Applications

KT-AXPA Power & Audio Harness uses the cameras multi-cable plug to allow Axis P55 & Q60 Series Indoor Cameras to be powered by Dotworkz D- Series Housings for IP66 protection, that is ready for the harshest environments, including Marine, Industrial, and Extreme Climate Deployments, while also providing the option to use the cameras microphone functionality.

Shipping Specifications

Product Number	Product Weight	Product Dimensions
KT-AXPA	0.1 lbs	24" long Multi-Cable
	Shipping Weight	Shipping Dimensions
	TBD lbs	TBD

Product Attributes

- Enables Axis Camera to be powered by 24V AC/ DC
- Microphone jack provides audio monitoring capability
- 3.5mm (1/8") Stereo jack for microphone interface
- Quick & secure locking multi-cable into Axis P55 & Q60 cameras
- Economical alternative to Axis Multi-Cable, at fraction of cost
- When used with Dotworkz Housing, allows easy POD installation of camera with wireless radios, NVR's, and other powered accessories into one easy to install housing.

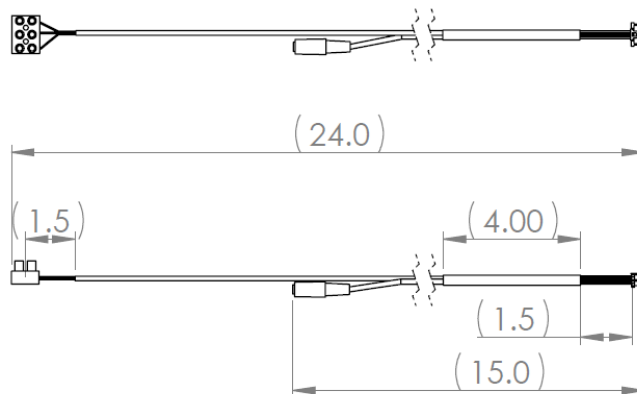
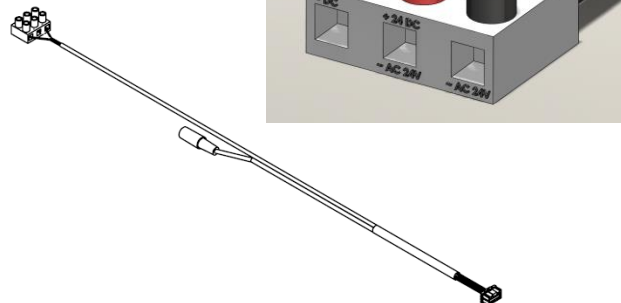
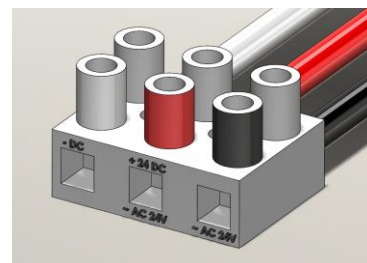
Compatibility with Axis models: P5512, P5522, P5532, P5534, P5544
Q6032, Q6034, Q6035, Q6042, Q6044, Q6045

KT-AXPA: Ready to Plug, Power, & Play



KT-AXPA shown with Axis P55 Camera
Harness, Camera, & Dotworkz Housings – All sold separately

24V Input Wiring Color Code Legend



*Product specifications are subject to change without notice. Rev. 2.1