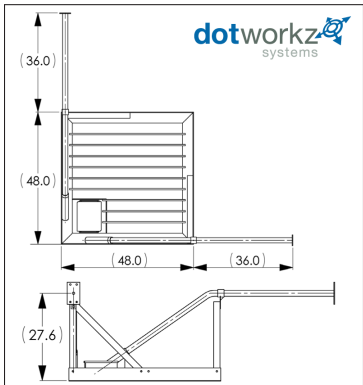
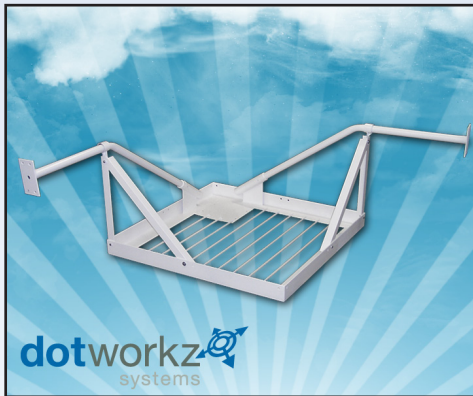


**Protection from Every Angle**

Compatible with all Dotworkz D-Series Enclosures, the BR-2CSM Two Sled Mount is a versatile two-camera scanning system that points over adjacent walls.

The rugged and durable structure is ideal for mounting multiple enclosures in harsh and unpredictable environments.

The BR-2CSM Two Sled Mount's versatile design makes it easy to maintain and customize for any deployment location.



**Description:**

Dotworkz BR-2CSM Two Sled Mount is ideal for rooftop corner locations. The BR-2CSM supports two cameras at adjacent 90-degree angles, allowing for the widest and most efficient viewpoints. The Two Sled Mount's multiple component break-down makes it simple to install and maintain. With durable cinderblock ballast, the BR-2CSM is designed to keep cameras stable and secure in the harshest of environments.

**Specs:**

Shipping Weight: 235 lbs (106.6 Kg)  
 Unit Weight: 205 lbs (93 Kg)  
 Ballast Weight: +465 lbs (211 Kg)  
 Body Construction: Cold Rolled Steel  
 Environment: Outdoor  
 Mount Style: Roof

**Features:**

- Compatible with all Dotworkz D-Series Enclosures
- Easily Relocated Without Special Tools
- Versatile Installation Options
- 100 lb. Load Rating
- All Steel Construction
- Epoxy painted per Mil-P-53022-Type 1 or custom

