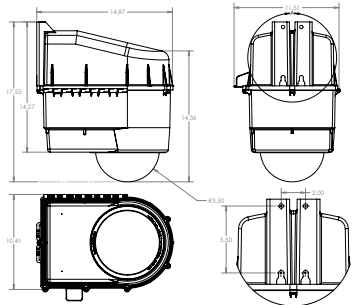


Built to Stay Cool when the Weather is Beyond Hot

The Dotworkz COOLDOME™ Active Cooling technology offers the most advanced outdoor camera protection system available, and has been designed to protect both IP and Analog cameras from extreme heat and direct sunlight.

The COOLDOME™ is engineered for climates where heat damage can occur. It is IP66 rated: airtight and sealed against outside air, dust, water and salt water, and integrated IP68 waterproof cable ports. Internal mounting space designed for routers, cell networks, hard drives, UPS, WiMax, mesh hardware and more.



innovative

D3-CD: Dotworkz D3 COOLDOME™ 12VDC Active Cooling Camera Enclosure



Description:

The Dotworkz D3 COOLDOME™ is the most advanced outdoor camera protection system available. Designed with active on-board & thermostatically controlled air conditioning, to protect both cameras and other system related hardware in one easy to install engineered form factor. The D3 is designed as Dotworkz complete outdoor solution housing for advanced camera system deployments in the world's hottest climates.

Dotworkz D3 has taken protection to the next level for climates where temperatures exceed 105° F (41°C) but reaches as high as 155° F (68°C). Engineered for climates where heat damage can occur.

Specs:

Operating Temperature (Absolute/Rec.):

-40° to 158°F (-40°C to 70°C)
30° to 145°F (-1°C to 63°C)

Power Consumption (without camera):

215 Watts @ 12 DC typical, both coolers engaged

Input Power Source options:

12 VDC, 110 VAC, or 220 VAC

Outputs for Camera Power:

12 VDC

Internal Power Available for Camera:

3 amps @ 12 VDC on typical model

HD or H.264 PTZ Camera Support: Yes

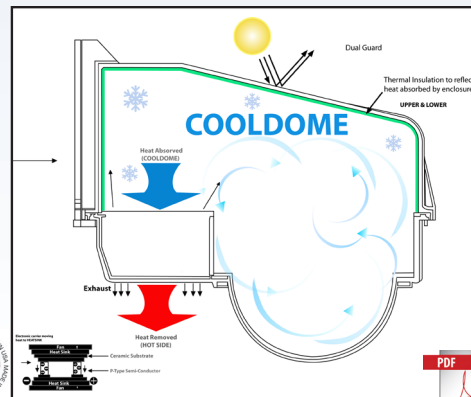
Shipping:

22" x 13" x 16"

19 lbs (8.6 Kg)

Features:

- COOLDOME™ Thermostatically controlled Active Cooling technology
- Up to 158° F (70° C) protection - up to a 45° F (25° C) differential with the outside
- IP, CCTV, HD and analog PTZ camera compatible for almost all sizes and brands
- Active solid state COOLDOME™ Thermo-Electric Cooling System providing up to 45° F Differential protects sensitive electronics in hot climates
- Internal Thermo-blanket permits sensitive electronics to be mounted in direct sunlight
- Internal bracket included for perfect fit for PTZ, megapixel or mini domes
- Switchable upper and lower camera mounting locations for maximum versatility and internal storage space utilization
- Internal mounting space for: routers, cell networks, NVR, hard drives, UPS, WiMAX, mesh hardware, etc
- IP66 rated: airtight and sealed against outside air, dust, water and salt water includes IP68 water proof connection ports



remote video solutions

www.dotworkz.com 866.575.4689