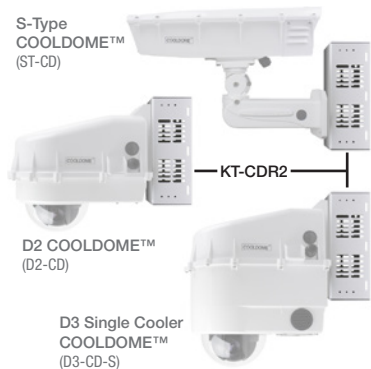


Versatile, Virtually Indestructible and Ready for the Extreme

Not just a camera enclosure but a engineered outdoor housing system that is designed to expand all indoor camera models into complete rugged outdoor system solutions.

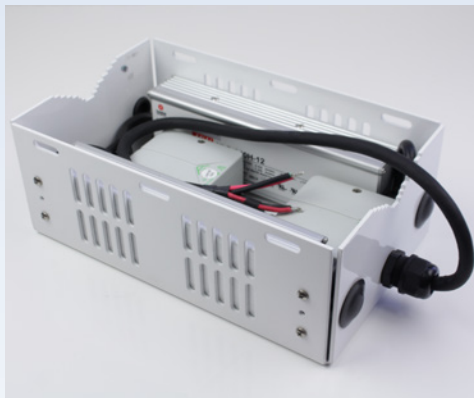
Virtually Indestructible: We produce the world's toughest enclosures. They will not corrode, rust, leak and have proven to withstand a whole world of abuse.

No matter the climate we take outdoor temperature protection very seriously: Extreme Hot climates, Cold climates, Marine and everywhere in between.



innovative

KT-CDR2: Dotworkz COOLDOME™ 12V Outdoor Power Pack Pole Mount Kit for D2, D3 Single Cooler, and S-Type Dotworkz COOLDOME™ Camera Enclosures



Features:

- AC input auto range
- IP67 rated power supply
- Built-in active PFC function
- Protections: Short circuit / Overload / Over voltage
- Over Temperature Protection: 105°C ±5°C (TSW1), Shut down O/P Voltage, Repower after cooling
- Fixed switching frequency at 60KHz
- 100% full load burn-in test
- Low cost, high reliability
- IP67 (UL, cULus, A, CE)

Description:

Power your Dotworkz COOLDOME™ and electronic components safely and easily with the 12V Outdoor Power Pack Kit (24V model available on special order basis KT-CDR2-24V).

Provides a clean integration of COOLDOME™ external power supplies to these dotworkz camera enclosures: D2 COOLDOME™ (D2-CD), D3 Single Cooler COOLDOME™ (D3-CD-S), and S-Type COOLDOME™ (ST-CD). This external power supply bracket provides quick mount attachment to the back of the enclosures and can be mounted onto any size structural post or pole utilizing 3 band straps.

Specs:

Voltage Input Range: 90-305 VAC ; 127-431 VDC
 DC Output Voltage: 12V
 Input Current 115/230: 4.0 / 2.0 Amps
 Frequency Range: 47-63 Hz
 Rated Current ; Rated Power: 16A ; 192W

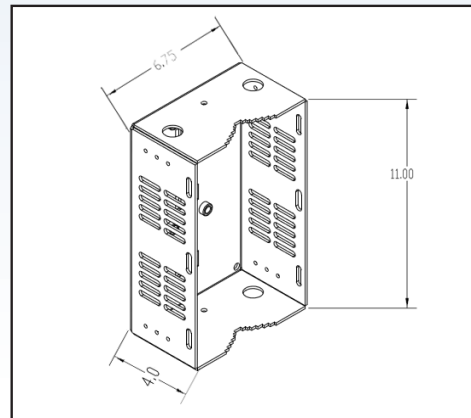
Operating Temperature
 -30°C to + 60°C @ FL ; + 70°C @ 60% Load

Storage Temperature
 -40°C to + 80°C, 10-95% RH

IP Rating: IP67

Shipping: 11" x 7" x 5" / 13lbs

Compatible Enclosures/Fits:
 D2 COOLDOME™ (D2-CD)
 D3 Single Cooler COOLDOME™ (D3-CD-S)
 S-Type COOLDOME™ (ST-CD)



remote video solutions