

Put Your Outdoor
Camera Enclosure Under



Pressure
Long Term Inert Gas
Protects Electronics

7
N

Nitrogen
14.0067

innovative



Description:

Dotworkz combines the benefits of a Heater Blower Enclosure, with Pressure Displacement Inert Gas Technology. Designed to prolong camera life and reduce service/maintenance time, the Pressurized Heater Blower system eliminates virtually all internal oxidization, moisture, or other corrosive air driven elements. Ideal for marine or industrial deployments requiring the highest degree of thermal, sealing, and Internal corrosion protection.

Specs:

Environmental:

Operating Temperature: -20°F to 120°F
(-29°C to 49°C)
Heater Activates/Deactivates: 55°F / 70°F
(-48°C / 21°C)
Humidity: 5-95% RH

Pressure:

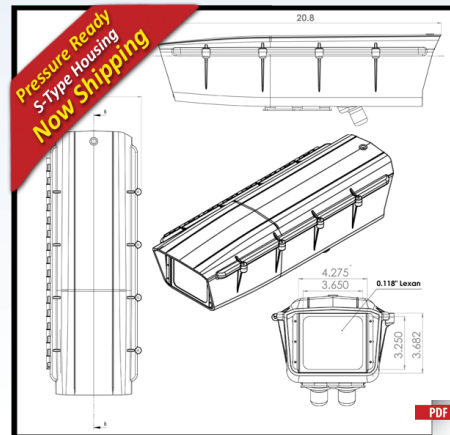
Pressurization & Purge: Dual Schrader Valves
Optimal Pressurization: 5-7 psi
Recommended Purge Gas: Nitrogen

Shipping:

24" x 10" x 10"
11 lbs (5 Kg)

Features:

- Dotworkz ST Heater Blower Pressurized Housing is customer pressurized using nitrogen gas, after camera is installed and housing closed and sealed.
- 5-7psi pressure relief valve eliminates over pressurization
- Ideal for Marine, Industrial, Railways, and High Traffic areas where corrosion is a concern.
- ST Housing includes a heavy duty wall mount arm, and can quickly adapted to pole mounting using EZ-Lock Pole mount, or other mounting styles using accessory brackets that are available & sold separately.
- Housing and Lens Material: Vandal Resistant Polycarbonate Thermoplastic Alloy



remote video solutions

www.dotworkz.com 866.575.4689