

### Overview

The Dotworkz Two Camera Sled Mount is for rooftop, corner locations. The mount supports two camera at 90 degrees from each other to scan over two adjacent walls. The multiple component break-down makes the mount simple to install. With maximum cinder block ballast, the mount weighs up to 670 lbs and exerts less than 42 lbs / sqft load on the rooftop. It is designed to withstand harsh environments and can be customized with a variety of finishes to suit customer requirements.

### Key Features

- Designed to Simplify dual housing corner parapet mounting
- 100 lb Housing Load rating
- All Steel Construction
- Easily Relocates without Special Tools
- Epoxy Painted per MIL-P 53022-Type 1
- Versatile Installation Options

### Applications

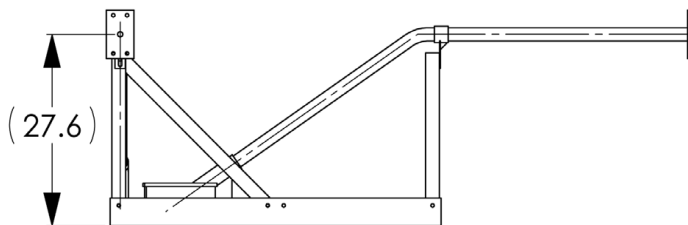
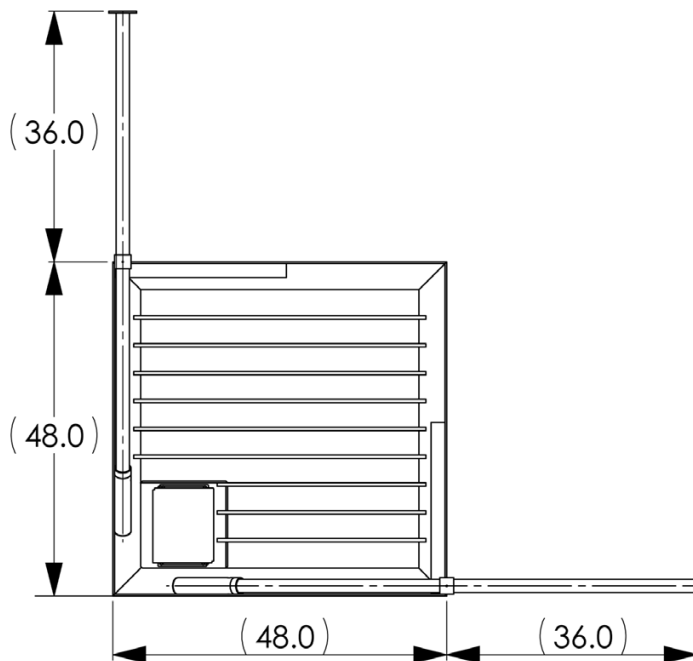
Rooftop corner mount for two camera housings scanning adjacent walls. Rugged design for outdoor applications.

### Shipping Specifications

Product Number	Product Weight	Ballast Capacity
BR-2CSM	205 lbs	+ 465 lbs Cinder Block
	Shipping Weight	Shipping Dimensions
	235 lbs	TBD

### Product Attributes

Body Construction	Cold Rolled Steel
Environment	Outdoor
Mount Style	Roof
RoHS	Yes
WEEE	Yes



\*Product specifications are subject to change without notice