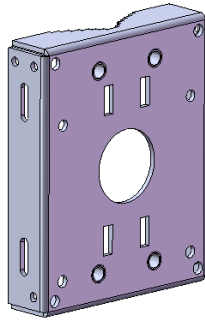




**by Dotworkz Systems, Inc.**  
**EZ-Lock Pole Mount Bracket Kit**  
and  
**Optional Angle Correction Bracket**  
(Angle Correction Bracket Sold Separately)



**EZ Lock Pole Mount Bracket**

**Your bracket kit includes:** Fasteners to mount your enclosure to the pole mount bracket.

**This kit does not include:**

- Straps to mount brackets to a pole
- Optional Angle Correction Bracket and hardware
- Wall mount fasteners

**The pole mount bracket is compatible with the following enclosures:**

- Dotworkz D2, all weather/ all climate enclosure systems
- Wall mount Fusion Dome series enclosures to enable small diameter pole mounting
- MDE-7 Marine Dome

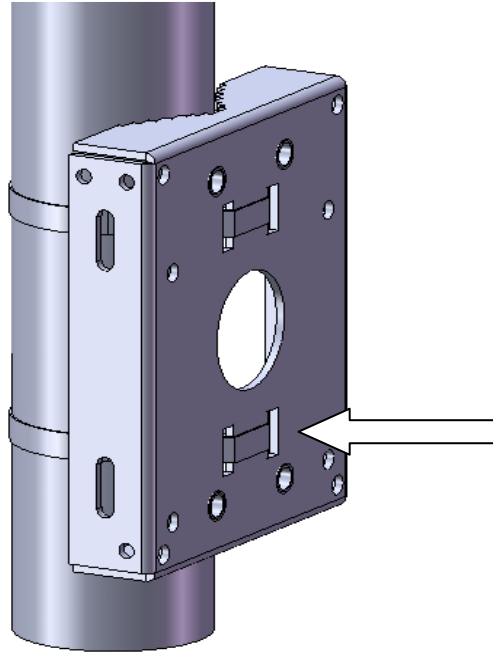
**Advantages of this kit over comparable systems:**

- 12 gauge steel Extra Heavy Duty construction, with an all weather powder coat for a lifetime of secured service
- Available with an optional Angle Correction Bracket for up to 12 degree vertical angle correction (Angle Correction Bracket sold separately)
- Can mount to tubing as small as 1" diameter and to any size poles
- Compatible mount to most vertical angle iron or non circular diameter extrusions. (ex.: Square tube, triangular tube, and angle iron with sides 1" or wider)
- Compatible to mount to Rohn Towers
- Two mounting options for strap mounts:
  - Slots on main plate for small diameter mounts
  - Side slots for large diameter mountings
- (4) Extra 5/16" diameter holes on face of bracket for alternative speed mounting to walls or wooden poles or structures, for strapless installs, and precision placement of enclosure.

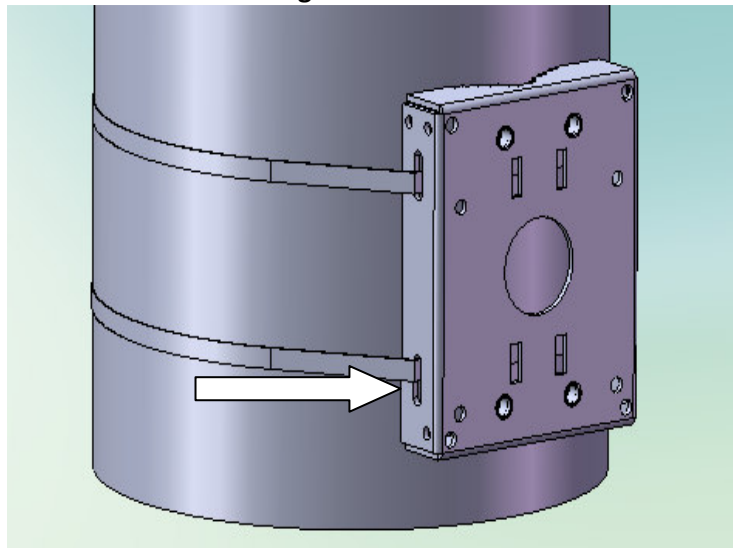
**Mounting Examples**

Pole Straps may use face plate slots Or Pole Straps may use side slots to secure EZ Lock Bracket

**For Smaller Diameter Poles:**

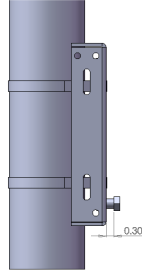


**For Larger Diameter Poles:**

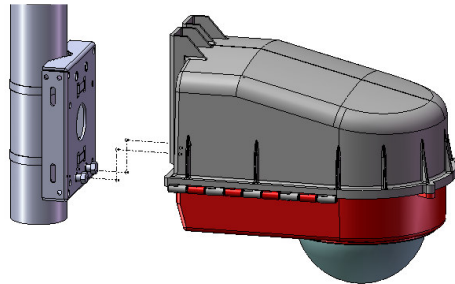


## Mount Your D2 Enclosure as Simple as 1 – 2 – 3

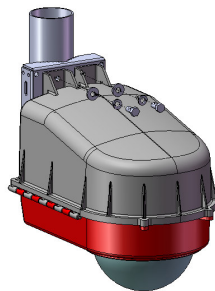
- 1) Strap EZ Lock to Pole & install lower two 3/8" bolts to inserts



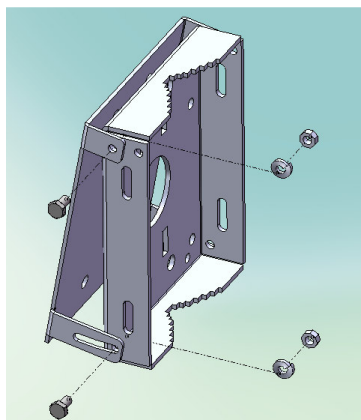
- 2) Then align, place & lock the D2's lower mounting keyhole slots onto 3/8" bolt heads



- 3) Then install last two 3/8" dia. x 3/4" long bolts into upper mount holes on D2 & thread into inserts on EZ



## EZ Lock Bracket mated to Optional Angle Correction Bracket





## **Warranty Certificate**

Dotworkz, Inc shall repair or replace at any product proven to be defective in workmanship or material for a period of one year from date of purchase.

If replacement parts are needed as covered by this warranty, using process outlined below, Dotworkz, Inc., shall provide replacement parts, for up to 90 days from date of original sale. Any repairs needed within these 90 days from purchase, shall likewise be repaired free of charge, for parts and labor at Dotworkz, Inc. factory; postage paid by customer for return to factory.

If such replacement, or repair is needed, purchaser must first get return authorization, from Dotworkz, Inc. Our customer service line may be reached at:

(619) 270-8401 or  
(866) 575-4689, or  
(619) 639-9914 fax

Or by authorization from online support from the "contact us" page on our website at:

Or in writing:  
Customer Service  
Dotworkz, Inc.  
3688 Midway Drive  
San Diego, CA 92110

### **Exceptions to this warranty:**

This warranty shall not include shipping and packaging charges to return product to factory, or those to return repaired or replaced items to purchaser, except on the discretion of Dotworkz, Inc.

This warranty shall not include damage due to negligence, normal wear, improper use, abuse, alteration, or accident.

Dotworkz, Inc., assumes no risk and shall be subject to no liability for damages or loss resulting from the use or installation of its product. Dotworkz's liability for any claim relating to any of its products shall not exceed the price paid by customer for such product. Dotworkz assumes no liability for any damages, including incidental, special, or consequential damages, however caused, including by Dotworkz, Inc. This includes third party claims, loss of use claims, and loss of profit claims; against Dotworkz, Inc., any employees of Dotworkz, Inc., shall not be held liable for such potential losses.

Dotworkz, Inc., All legal rights reserved, 2008