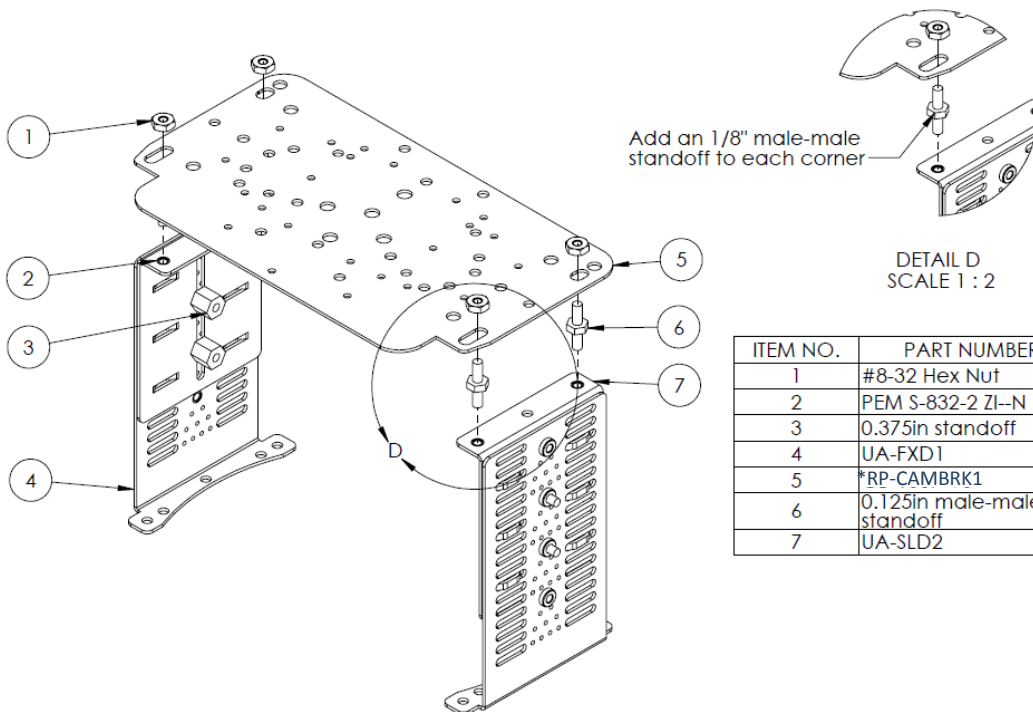
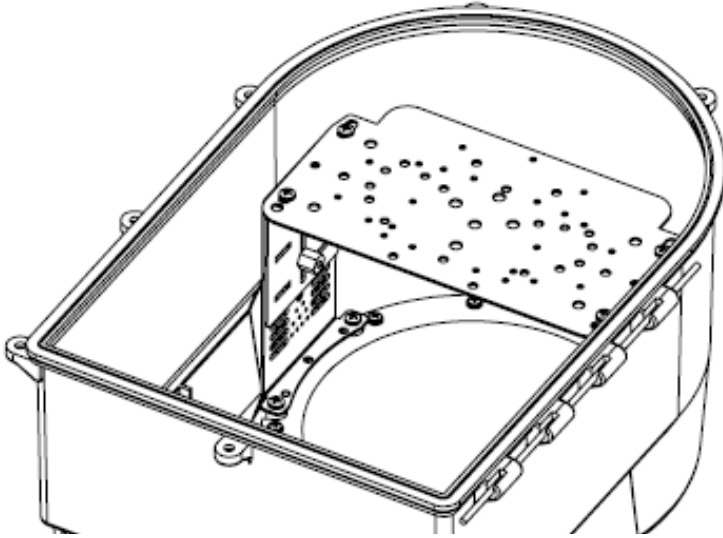


Steady-Step Bracket Kit # BR-CMSS for Dotworkz D-Series Enclosures

Provides an Easily adjustable platform for Mounting Camera or accessories to forward mounts on D-Series Enclosures, or as an upgrade mount to D2 Series camera enclosures



ITEM NO.	PART NUMBER	QTY.
1	#8-32 Hex Nut	4
2	PEM S-832-2 ZI-N	12
3	0.375in standoff	4
4	UA-FXD1	2
5	*RP-CAMBRK1	1
6	0.125in male-male standoff	4
7	UA-SLD2	2

*Item No 5: # RP-CAMBRK1 Replacement Camera Bracket Sold Separately.