

Overview

The Dotworkz D2-TR-POE-P is an engineered outdoor housing system that is designed to allow most indoor PTZ & mini-dome camera models to allow for quick installation via PoE+ powered housing solution into a complete rugged outdoor system solution.

Virtually Indestructible housing solution for the a wide array of harsh environments. IP68 NEMA 4X ingress protection of housing, provides the highest levels of protection from water, dust, marine, and vandal abuse.

Key Features

- Designed to Simplify Powering of Housing using one Ethernet Cable for Power and Data, via PoE+, Higher Powered Passive PoE Ethernet PSE
- External RJ-45 Quick Connect for quick installation
- Integrated Dual 10 CFM Fan Blower System
- Integrated Dual Layer Foam Foil Internal Insulation for Sun & Cold protection
- For low power PTZ & Dome cameras up to 18w
- Vandal Tough Housing protection
- External IP rated Ethernet Quick Connect Integrated
- Internal Ethernet PoE Pass Thru Power for PoE capable devices
- 12 VDC @ 18W (1.5A) available internal power for camera or Accessories

Applications

Easily Integrate camera and housing into a wide range of outdoor applications via PoE+, to allow camera and housing to be powered by a single Cat 5e/ Cat6 Ethernet cable using PoE+ or Passive PSE sources. Extra heavy duty Dotworkz Housing is wall mount ready. The EZ Lock Pole & Speedy mount (# BR-MPM1) is available & sold separately for additional mounting options, as well as corner, parapet, and a whole line of other specialty mount brackets are available, sold separately, for virtually any mounting needs.

Good for commercial, Industrial, remote, coastal, and wide range of environmentally challenging installation.

Shipping Specifications

Product Number	Product Weight	Product Dimensions
D2-TR-POE-P	7.5 lbs	15.0"l x 11.7"w x 13.4"h
	Shipping Weight	Shipping Dimensions
	12 lbs	17"l x 13"w x 16"h

Product Attributes

- Single External Ethernet Cable powering housing solution via PoE+, or Higher Power -bt or Passive PoE PSE Power Sourcing Equipment
- Vandal Tough casing designed to protect valuable electronics from environment, vandalism, and theft
- Housing meets IP68 rating: Airtight and sealed against outside air, dust, insects, water / salt fog and other conditions
- Internal mounting space for most indoor PTZ or dome cameras; nearly all makes and models

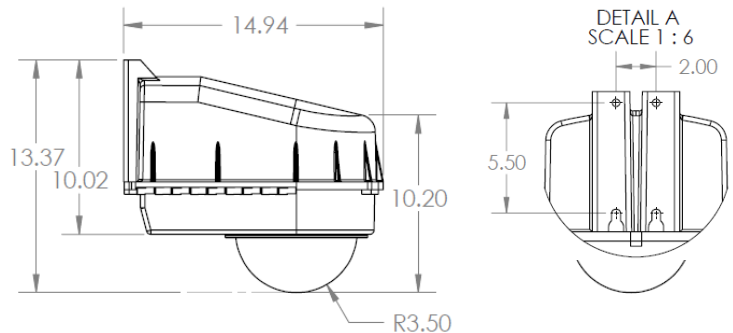
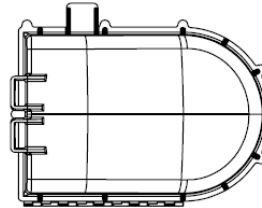
Dotworkz Systems Inc.
3688 Midway Drive
San Diego, CA 92110

Sales Inquiries
sales@dotworkz.com

Toll Free: 866-575-4689
Phone: 619-224-5483
Fax: 619-639-9914



Combines the New IP68 protection level with the ease of PoE installation



Product Attributes (Cont.)

- Up to 26 Watt PoE+ Maximum Pass Thru Ethernet Power when mated with Higher Power PSE Sourcing Equipment
- Up to 18 Watt @ 12VDC Integrated Internal Splitter Power for Camera or Accessories when mated with Higher Power PSE Sourcing Equipment, 40V – 60 VDC Rated
- Maximum Combined Internal Power up to 50W for blowers, 12VDC, & Pass Thru Power, When Mated with Higher Power PSE equipment
- For Use with PoE+, PoE-bt, and Higher power Passive PoE PSE's
- Input Power Should be 15% or More, Higher Than Required Total Enclosure Power
- 1500VDC Ethernet Isolation Voltage, 100M Ohm Minimum Isolation Resistance
- -22°F to +122°F (-30°C to +50°C) Wide Temperature Rated Operating Temperature Range
- Ultrafast 10/100/1000 MB GIGABIT Speed Rated Data Pass Thru to Camera

*Product specifications are subject to change without notice